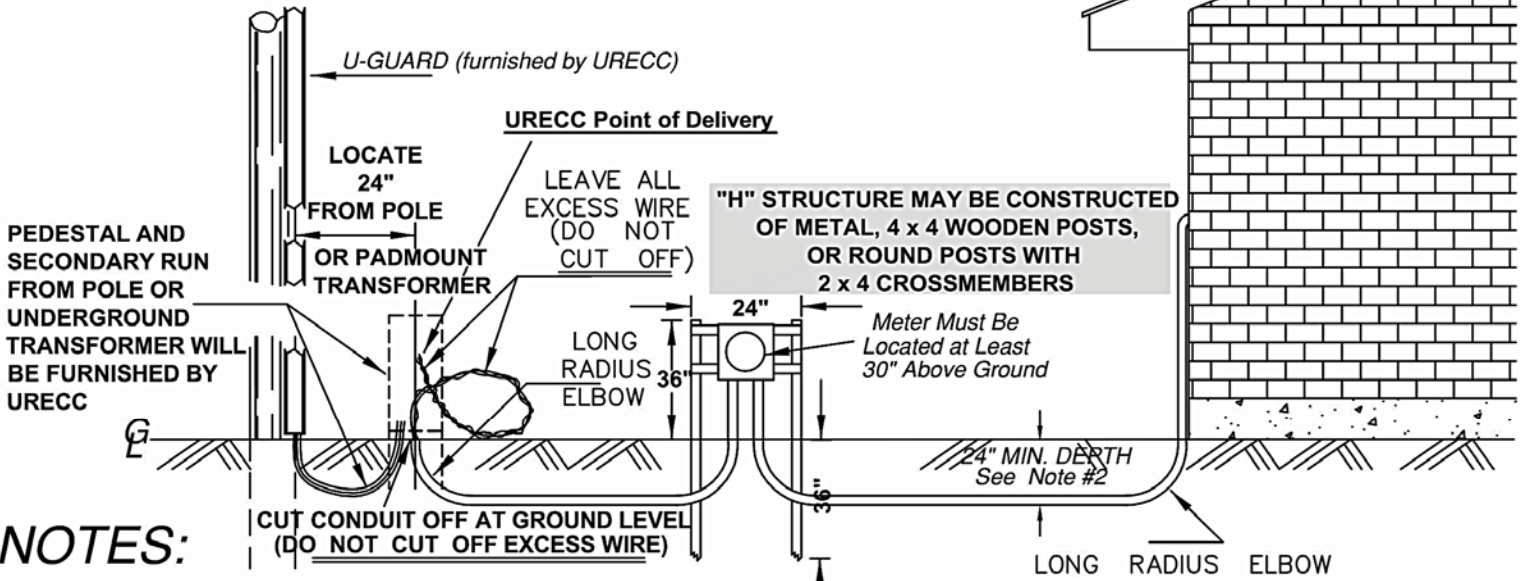
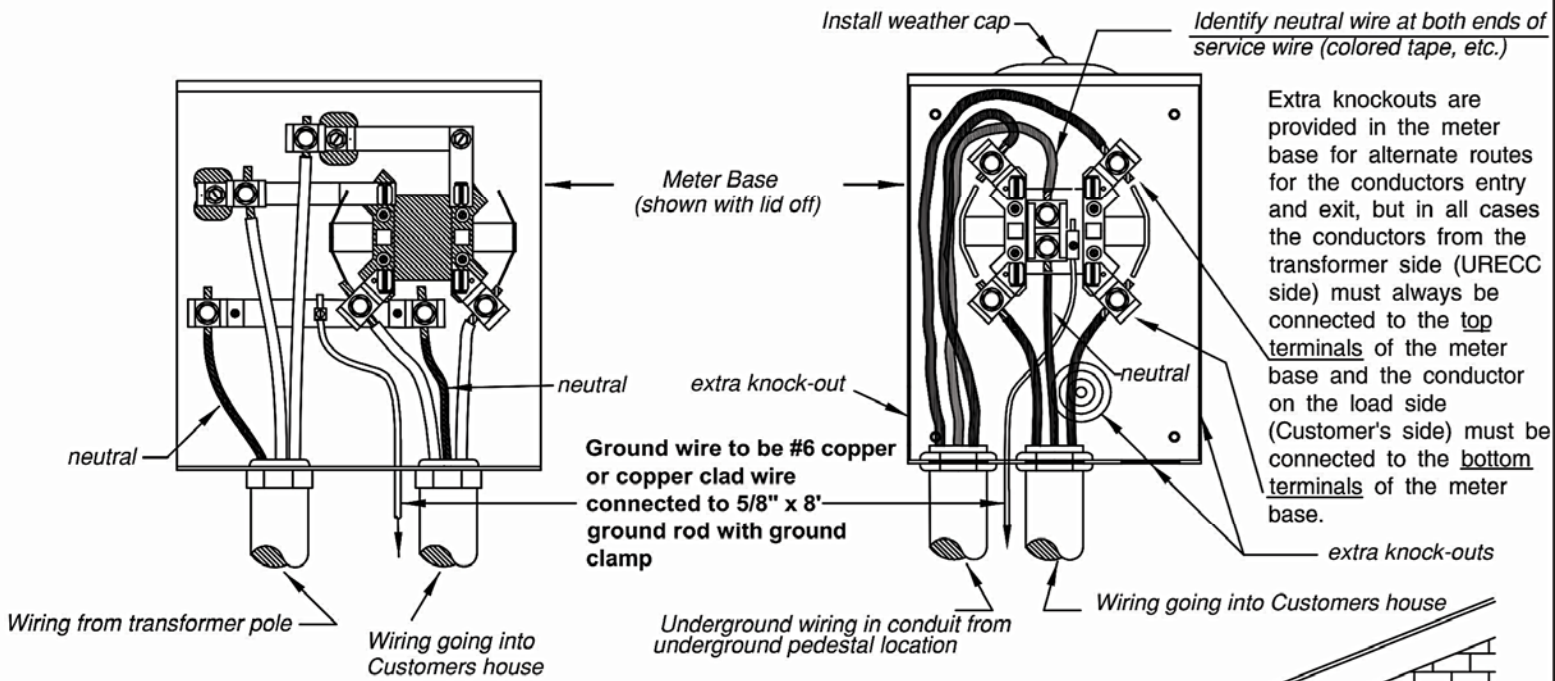


UNDERGROUND METER BASE DETAIL



NOTES:

1. All conduit to be metal or gray electrical PVC as approved by the National Electrical Code.
2. Conduit to be buried at 24" depth. See National Electrical Code for exceptions.
3. Bring conduit up at a distance of 24" from Upshur-Rural's pole.
4. Min. 2" conduit for triplexed conductors up to and including 4/0 is recommended. For conductors above 4/0, refer to the National Electrical Code.

	DANGER
	HAZARD OF ELECTRICAL SHOCK OR BURN IF COVER IS REMOVED. SERVICE BY UTILITY AUTHORIZED PERSONNEL ONLY

UPSHUR RURAL ELECTRIC COOP. CORP. P.O. BOX 70 GILMER, TX. 75644		
DETAIL FOR UNDERGROUND SERVICE INSTALLATION		
DRAWN BY C	DRAWING NO. UG-MB-2	REV 2
APPROVED BY	SCALE None	DATE DRAWN 1/19/05
		SHEET 1 OF 1